

MODEL NO. : TM104SDH04ISSUED DATE: 2010-07-19VERSION : Ver 1.0

- Preliminary Specification  
 Final Product Specification

Customer : \_\_\_\_\_

Approved by	Notes

SHANGHAI TIANMA Confirmed :

Prepared by	Checked by	Approved by

This technical specification is subjected to change without notice

The information contained herein is the exclusive property of SHANGHAI TIANMA MICRO-ELECTRONICS Corporation, and shall not be distributed, reproduced, or disclosed in whole or in part without prior written permission of SHANGHAI TIANMA MICRO-ELECTRONICS Corporation.



## Table of Contents

Coversheet.....	1
Table of Contents.....	2
Record of Revision.....	3
1 General Specifications.....	4
2 Input/Output Terminals.....	5
3 Absolute Maximum Ratings.....	8
4 Electrical Characteristics.....	9
5 Timing Chart.....	12
6 Power On/Off Sequence.....	12
7 Optical Characteristics.....	18
8 Environmental / Reliability Tests.....	22
9 Mechanical Drawing.....	23
10 Packing Drawing.....	25
11 Precautions for Use of LCD Modules.....	26





## 1 General Specifications

Feature		Spec
<b>Display Spec</b>	Size	10.4 inch
	Resolution	800(RGB) x 600
	Interface	TTL
	Color Depth	262K
	Technology Type	a-Si TFT
	Pixel Pitch (mm)	0.264 x 0.264
	Pixel Configuration	RGB stripe
	Display Mode	TM with Normally White
	Surface Treatment	AG
	Viewing Direction	12 o'clock
	Gray Scale Inversion Direction	6 o'clock
<b>Mechanical Characteristics</b>	LCM (W x H x D) (mm)	236.00 x 176.90 x 5.60
	Active Area(mm)	211.20 x 158.40
	With /Without TSP	Without TSP
	Weight (g)	TBD

Note 1: Viewing direction for best image quality is different from TFT definition, there is a 180 degree shift.

Note 2 : Requirements on Environmental Protection: Q/S0002

Note 3: LCM weight tolerance:  $\pm 5\%$



## 2 Input/Output Terminals

### 2.1 TFT LCD Panel

Matching connector: FH12A-30S-0.5SH(55)(Hirose)

No	Symbol	I/O	Description	Remarks
1	POL	I	Polarity selection	
2	STVD	I/O	Vertical start pulse input when U/D=H	Note2
3	OEV	I	Gate output enable	
4	CKV	I	Vertical clock	
5	STVU	I/O	Vertical start pulse input when U/D=L	Note2
6	GND	P	Power ground	
7	EDGSL	I	Clock edge selection	Note2
8	VCC	P	Power supply for digital circuit	
9	V9	I	Gamma voltage level 9	
10	VGL	P	Gate OFF voltage	
11	V2	I	Gamma voltage level 2	
12	VGH	P	Gate ON voltage	
13	V6	I	Gamma voltage level 6	
14	U/D	I	Up/down selection	Note2
15	VCOM	I	Common voltage	
16	GND	P	Power ground	
17	AVDD	P	Power supply for analog circuit	
18	V14	I	Gamma voltage level 14	
19	V11	I	Gamma voltage level 11	
20	V8	I	Gamma voltage level 8	
21	V5	I	Gamma voltage level 5	
22	V3	I	Gamma voltage level 3	
23	GND	P	Power ground	
24	R5	I	Red data(MSB)	
25	R4	I	Red data	
26	R3	I	Red data	
27	R2	I	Red data	
28	R1	I	Red data	
29	R0	I	Red data(LSB)	
30	GND	P	Power ground	

The information contained herein is the exclusive property of SHANGHAI TIANMA MICRO-ELECTRONICS Corporation, and shall not be distributed, reproduced, or disclosed in whole or in part without prior written permission of SHANGHAI TIANMA MICRO-ELECTRONICS Corporation.



31	GND	P	Power ground	
32	G5	I	Green data(MSB)	
33	G4	I	Green data	
34	G3	I	Green data	
35	G2	I	Green data	
36	G1	I	Green data	
37	G0	I	Green data(LSB)	
38	STHL	I/O	Horizontal start pulse input when R/L =H	Note2
39	REV	I	Control display data are inverted or not. When "REV"=H, data will be inverted.	
40	GND	P	Power ground	
41	DCLK	I	Dot clock input. Latching source data onto the line latches at the rising or falling edge by EDGSL signal selected.	
42	VCC	P	Power supply for digital circuit	
43	STHR	I/O	Horizontal start pulse input when R/L =L	Note2
44	LD	I	Latches the polarity of outputs and switches the new data to outputs.	
45	B5	I	Blue data (MSB)	
46	B4	I	Blue data	
47	B3	I	Blue data	
48	B2	I	Blue data	
49	B1	I	Blue data	
50	B0	I	Blue data (LSB)	
51	R/L	I	Right/ left selection	Note1
52	V1	I	Gamma voltage level 1	
53	V4	I	Gamma voltage level 4	
54	V7	I	Gamma voltage level 7	
55	V10	I	Gamma voltage level 10	
56	V12	I	Gamma voltage level 12	
57	V13	I	Gamma voltage level 13	
58	AVDD	P	Power supply for analog circuit	
59	GND	P	Power ground	
60	VCOM	I	Common voltage	

Note1: I/O definition: I----Input                      O---Output                      P----Power



Note2: Scan direction setting as follow table

Scan control input		IN/OUT state for start pulse				Scanning direction
U/D	R/L	STVD	STVU	STHR	STHL	
GND	VCC	0	1	0	1	Up to down, left to right
VCC	GND	1	0	1	0	Down to up, right to left
GND	GND	0	1	1	0	Up to down, right to left
VCC	VCC	1	0	0	1	Down to up, left to right

Note3:

When EDGSL=L	Latching source data onto the line latches at the rising edge.
When EDGSL=H	Latching source data onto the line latches at the rising edge and falling edge.

## 2.2 CN2 (Backlight connector)

No	Symbol	I/O	Description	Comment
1	LEDA	P	LED driving anode (high voltage)	
2	LEDK	P	LED driving cathode (low voltage)	



### 3 Absolute Maximum Ratings

#### 3.1 Driving TFT LCD Panel

GND=0V, Ta = 25°C

Item	Symbol	Min	Max	Unit	Remark
Power Voltage	VDD	-0.3	5.0	V	
	AVDD	-0.5	15.0	V	
	VGH	-0.3	42.0	V	
	VGL	-20.0	0.3	V	
	VGH-VGL	-0.3	40.0	V	
Input voltage	V <sub>IN</sub>	-0.3	5.0	V	Note1
Operating Temperature	T <sub>OPR</sub>	-20	70	°C	
Storage Temperature	T <sub>STG</sub>	-30	80	°C	

Note1: V<sub>IN</sub> includes POL,STVD,OEV,CKV,STVU,EDGSL,U/D,R0~R5,G0~G5,STHL,REV,DCLK,STHR,LD,B0~B5,R/L.



## 4 Electrical Characteristics

### 4.1 Driving TFT LCD Panel

GND=0V, Ta=25°C

Item	Symbol	MIN	TYP	MAX	Unit	Remark
Digital supply Voltage	VCC	3.0	3.3	3.6	V	
Analog supply Voltage	AVDD	9.4	9.8	10.2	V	
Gate on voltage	VGH	19.8	22.0	24.2	V	
Gate off voltage	VGL	-7.7	-7.0	-6.3	V	
Common Electrode Driving Signal	VCOM	-	4.30	-	V	
Input level of Gamma voltage	V1~V7	0.4 x AVDD	-	AVDD-0.1	V	
	V8~V14	0.1	-	0.6 x AVDD	V	
Input Signal Voltage	Low Level	V <sub>IL</sub>	0	-	0.3 x VCC	V
	High Level	V <sub>IH</sub>	0.7 x VCC	-	VCC	V
Output Signal Voltage	Low Level	V <sub>OL</sub>	GND	-	GND+0.4	V
	High Level	V <sub>OH</sub>	VCC-0.4	-	-	V
Current of digital supply voltage	I <sub>VCC</sub>	-	11.00	16.00	mA	VCC=3.3V Note1
Current of analog supply voltage	I <sub>AVDD</sub>	-	50.00	75.00	mA	AVDD=9.8V Note1
Current of Gate on voltage	I <sub>VGH</sub>	-	0.30	0.45	mA	VGH=22.0V Note1
Current of Gate off voltage	I <sub>VGL</sub>	-	0.51	0.75	mA	VGL=-7.0V Note1

Table 4.1 LCD module electrical characteristics

Note1: To test the current dissipation, using the “color bar” testing pattern shown as below:

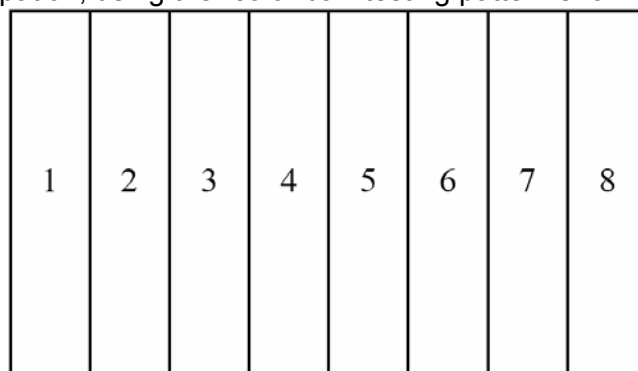


Figure 4.1.1 Current dissipation testing pattern

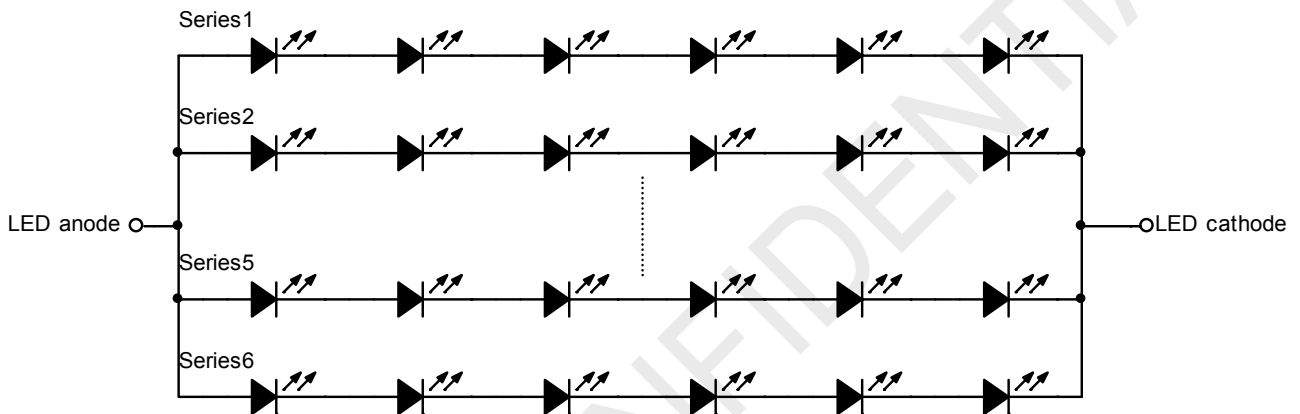


## 4.2 Driving Backlight

Ta=25°C

Item	Symbol	Min	Typ	Max	Unit	Remark
Forward Current	IF	-	120.0	-	mA	Note 1
Forward Current Voltage	VF	17.7	-	20.7	V	Note 1
Backlight Power Consumption	WBL	-	2304	-	mW	Note 1
Operating Life Time	-	10000	(20000)	-	Hrs	

Note1: Figure below shows the connection of backlight LED.



Note 2: One LED :  $I_{LED} = 20 \text{ mA}$

Note 3:  $I_{LED}$  is defined for one channel LED.

Optical performance should be evaluated at Ta=25°C only.

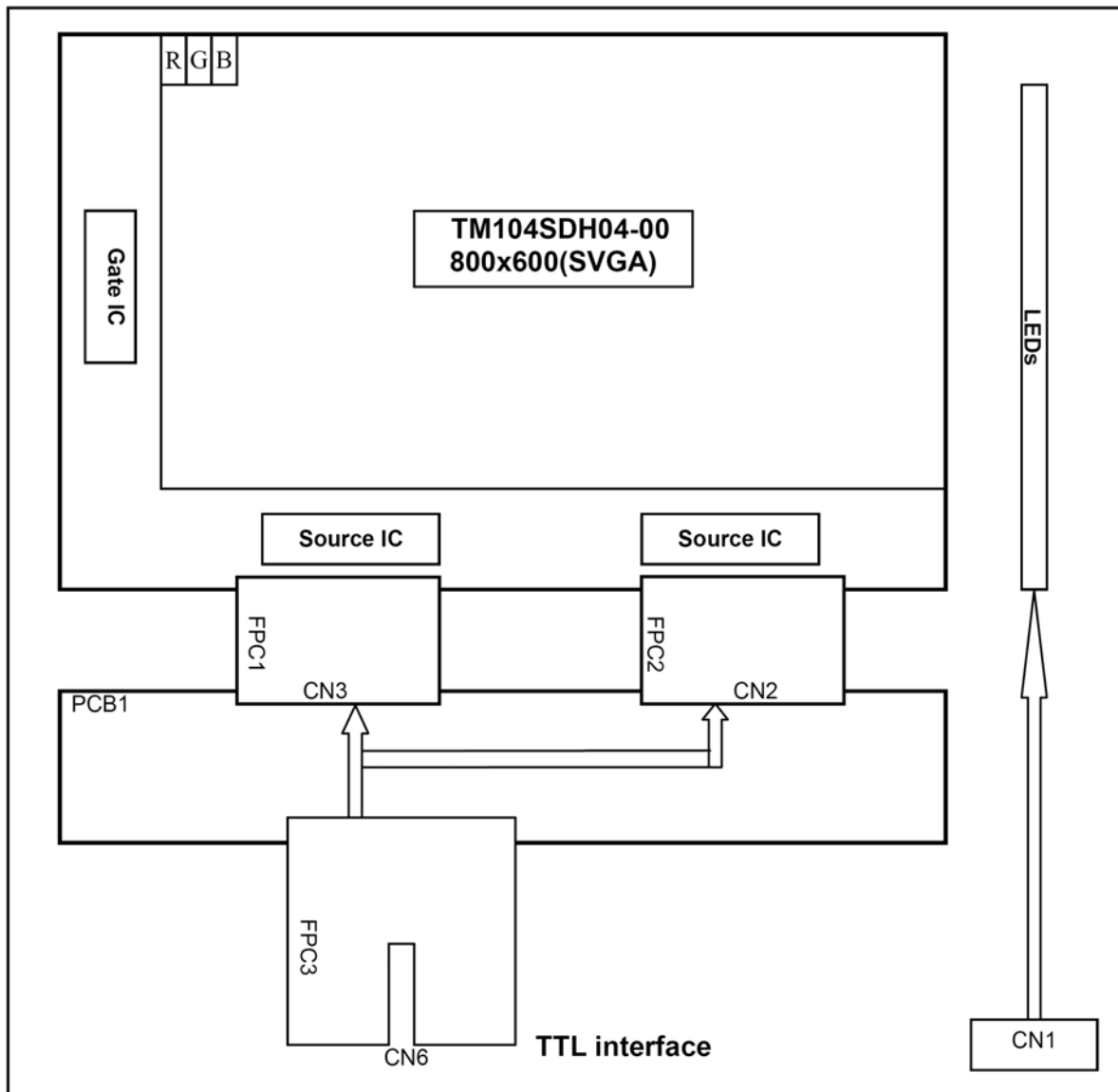
If LED is driven by high current, high ambient temperature & humidity condition. The life time of LED will be reduced.

Operating life means brightness goes down to 50% initial brightness. Typical operating life time is estimated data.



### 4.3 Block Diagram

LCD module diagram



Note: FPC1 and FPC2 are physically same.

Figure 4.3 LCD module diagram



## 5 Timing Chart

### 5.1 Source driver input timing

(VCC=3.3V, AVDD=9.8V, AVSS=GND=0V, Ta=25°C)

Parameter	Symbol	Min	Typ	Max	Unit	Conditions
CLK frequency	Fclk	-	40	45	MHz	EDGSL="0"
	Fclk	-	20	22.5	MHz	EDGSL="1"
CLK pulse width	Tcw	40%	-	60%	Tcph	Tcph is CLK cycle
Data set-up time	Tsu	4	-	-	ns	D00~D25, REV and STHL/R to CLK
Data hold time	Thd	2	-	-	ns	D00~D25, REV and STHL/R to CLK
Propagation delay of STHR/L	Tphl	6	10	15	ns	CL=25pF (Output)
Time that the last data to LD	Tld	1	-	-	Tcph	
Pulse width of LD	Twld	2	-	-	Tcph	
Time that LD to STHL/R	Tlds	5	-	-	Tcph	
POL set-up time	Tpsu	6	-	-	ns	POL to LD
POL hold time	Tphd	6	-	-	ns	POL to LD
Output stable time	Tst	-	-	9	us	10% or 90% target voltage. CL=60pF, R=2Kohm
Repair output delay stable time	Tst1	-	-	20	us	CL=190pF, R=5.5Kohm

Table 5.1 Source driver input timing

<< EDGSL= "0", Default >>

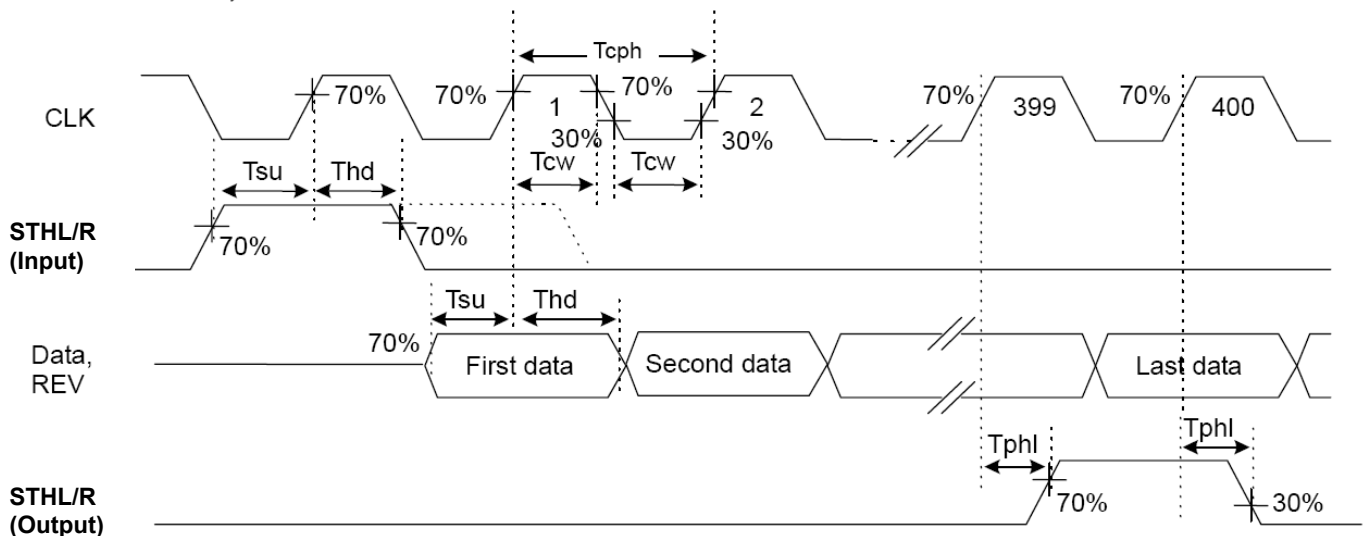


Figure 5.1.1 Source driver input timing

The information contained herein is the exclusive property of SHANGHAI TIANMA MICRO-ELECTRONICS Corporation, and shall not be distributed, reproduced, or disclosed in whole or in part without prior written permission of SHANGHAI TIANMA MICRO-ELECTRONICS Corporation.



<< EDGSL="1">>

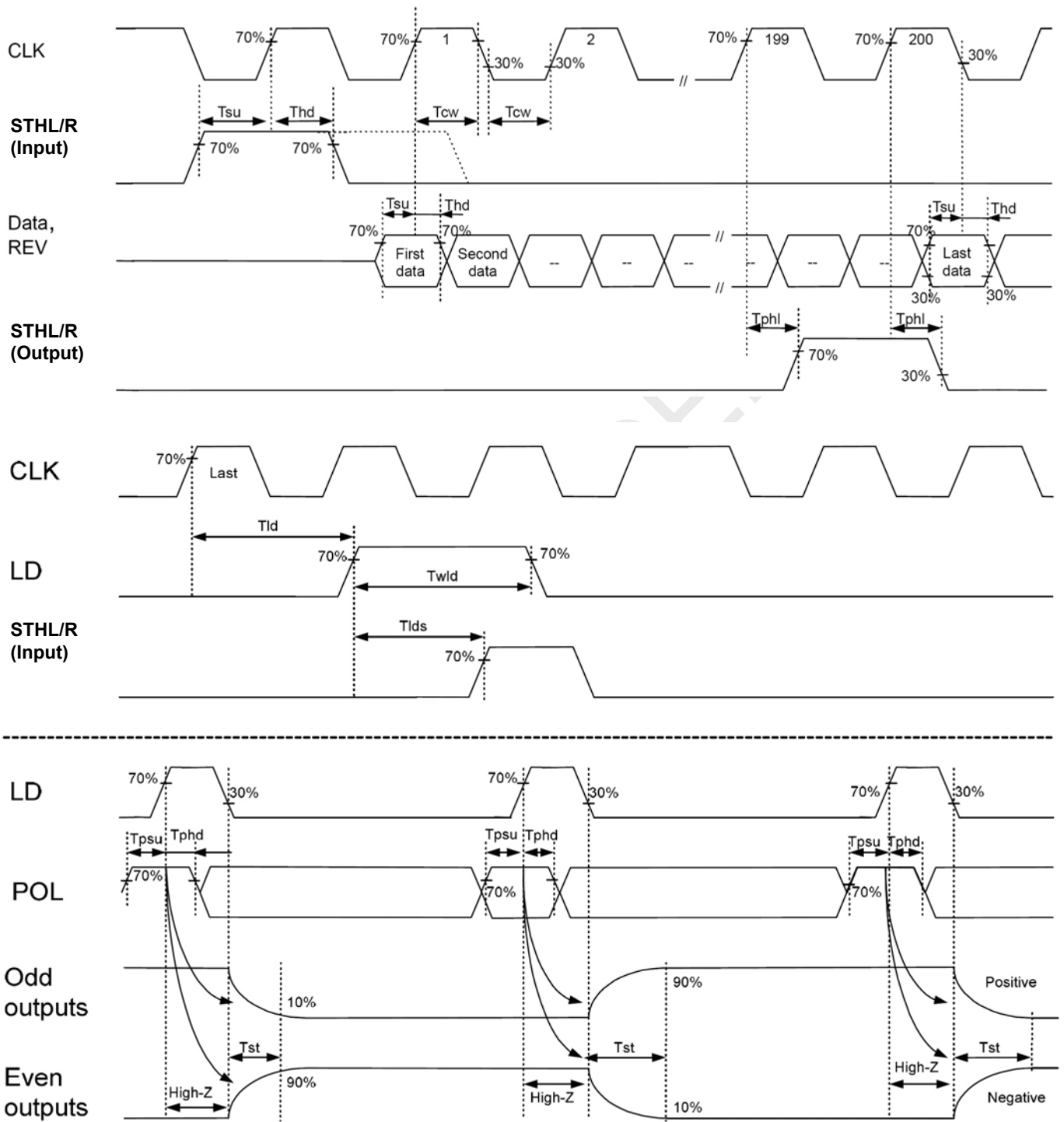


Figure 5.1.2 Source driver input timing (continued)



## 5.2 Gate driver input timing

(VGH=22V, VGL=-7V, VCC=3.3V, GND=0V, Ta=25°C)

Symbol	Parameters	Min	Typ	Max	Unit	Conditions
Tdt	STVD/STVU delay time	-	-	500	ns	CL=20pF
Tdo	Driver output delay time	-	-	900	ns	CL=200pF When Twcl=1us
Tthl	Output falling time	-	400	800	ns	CL=200pF 90% to 10%
Ttlh	Output rising time	-	500	1000	ns	CL=200pF 10% to 90%
Txon	XON to driver output delay time	-	-	20	us	CL=200pF
Toe	OEx to driver output delay time	-	-	900	ns	CL=200pF
Fclk	Clock frequency	-	-	200	KHz	In cascade connection
Trck	Clock rising time	-	-	100	ns	CL=20pF
Tfck	Clock falling time	-	-	100	ns	CL=20pF
PWCLK	Clock pulse width (High&Low)	500	-	-	ns	
Tsu	STVD/STVU set-up time	200	-	-	ns	
Thd	STVD/STVU hold time	300	-	-	ns	
Twcl	Output enabled pulse width	1	-	-	us	

Table 5.2 Gate driver input timing

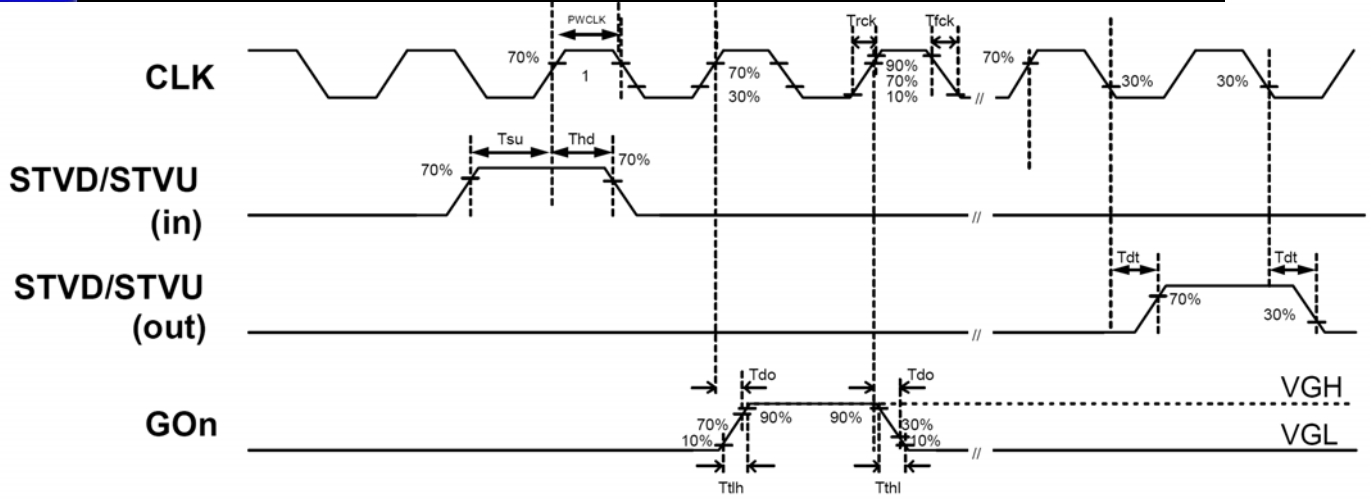


Figure 5.2.1 Gate driver input timing

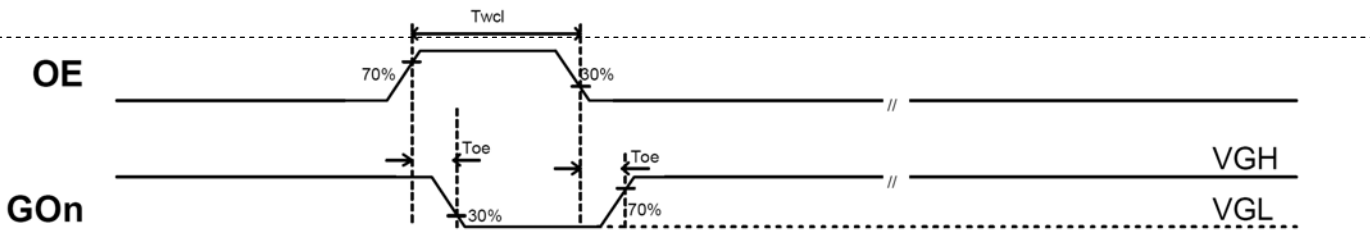


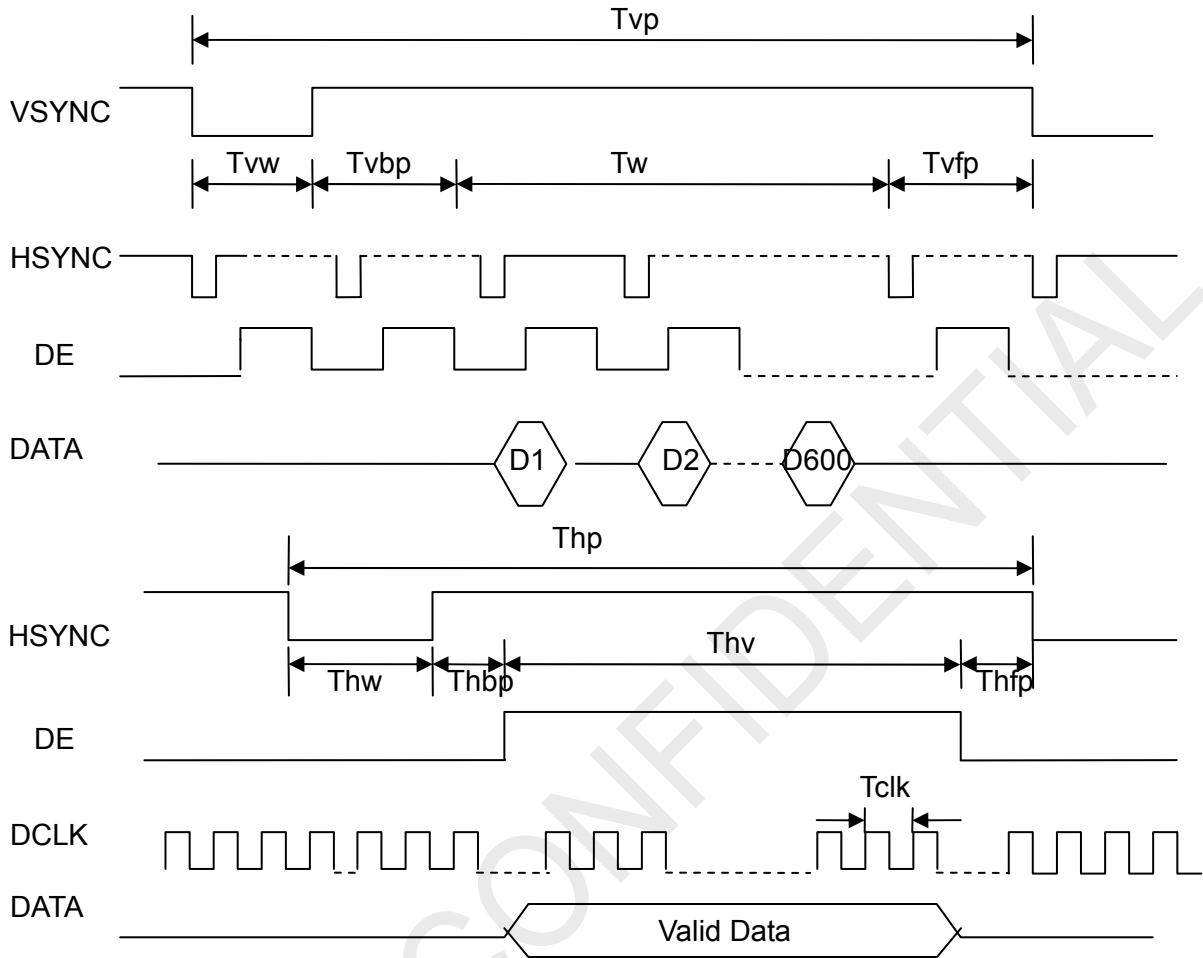
Figure 5.2.2 Gate driver input timing (continued)



5.3 DCLK, Hsync, Vsync timing (Recommended setting)

Parameter	Symbol	Min.	Typ.	Max.	Unit	Remarks	
Dot clock frequency	Tclk	-	40	45	MHz		
Hsync	Period	866	1056	1064	Tclk		
	Horizontal total blank	Thw+Thbp+Thfp	66	256	264	Tclk	
	Valid Data Width	Thv	-	800	-	Tclk	
Vsync	Period (Frame rate)	628	635	650	Thp		
	Vertical total blank	Tvw+Tvbp+Tvfp	28	35	50	Thp	
	Valid Data Width	Tw	-	600	-	Thp	

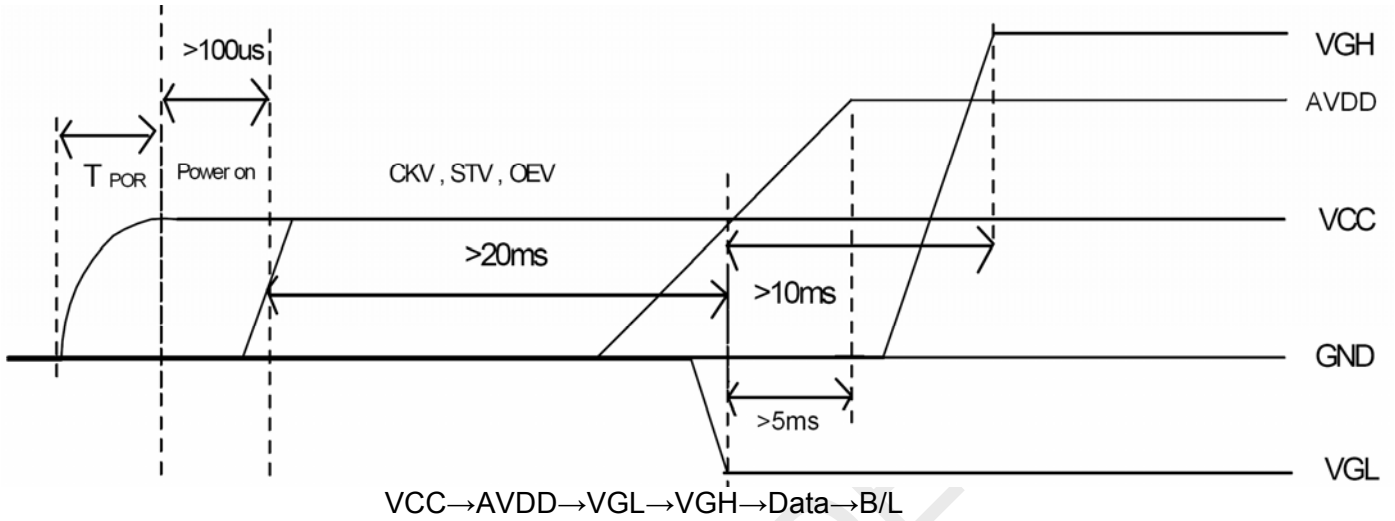
The information contained herein is the exclusive property of SHANGHAI TIANMA MICRO-ELECTRONICS Corporation, and shall not be distributed, reproduced, or disclosed in whole or in part without prior written permission of SHANGHAI TIANMA MICRO-ELECTRONICS Corporation.



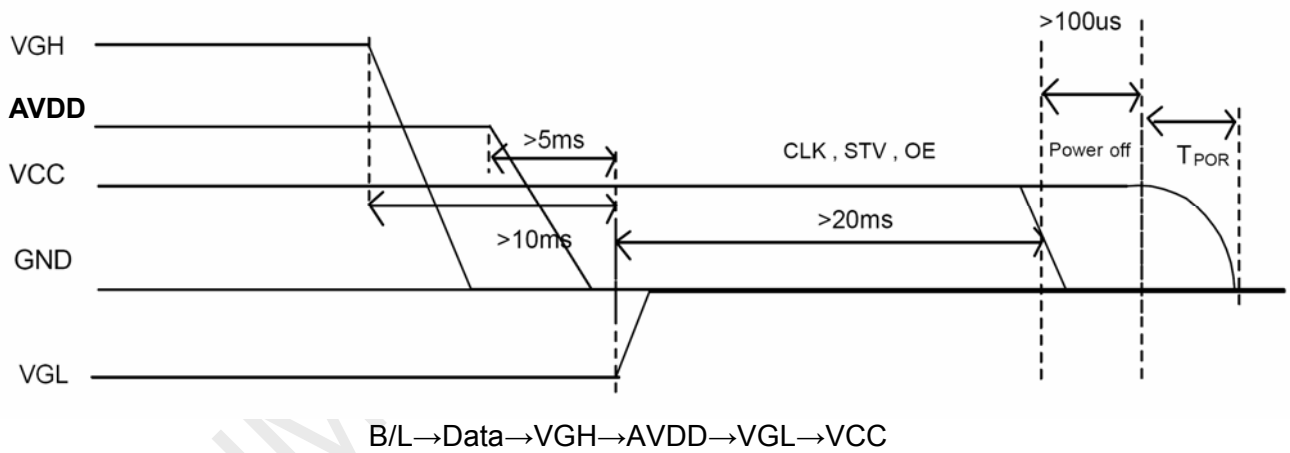


## 6 Power On/Off Sequence

### 6.1 Power on Sequence



### 6.2 Power off Sequence





## 7 Optical Characteristics

Ta=25°C

Item	Symbol	Condition	Min	Typ	Max	Unit	Remark	
View Angles	$\theta T$	$CR \geq 10$	50	60	-	Degree	Note 2	
	$\theta B$		60	70	-			
	$\theta L$		60	70	-			
	$\theta R$		60	70	-			
Contrast Ratio	CR	$\theta=0^\circ$	400	500	-	-	Note1 Note3	
Response Time	Ton	25°C	-	25	40	ms	Note1 Note4	
	Toff							
Chromaticity	White	x	Backlight is on	0.264	0.314	0.364	-	Note5, Note1
		y		0.287	0.337	0.387		
	Red	x		0.546	0.596	0.646		
		y		0.307	0.357	0.407		
	Green	x		0.291	0.341	0.391		
		y		0.516	0.566	0.616		
	Blue	x		0.098	0.148	0.198		
		y		0.061	0.111	0.161		
Uniformity	U	-	-	80	-	%	Note1 Note6	
NTSC	-	-	-	50	-	%	Note 5	
Luminance	L	-	350	400	-	cd/m <sup>2</sup>	Note1 Note7	

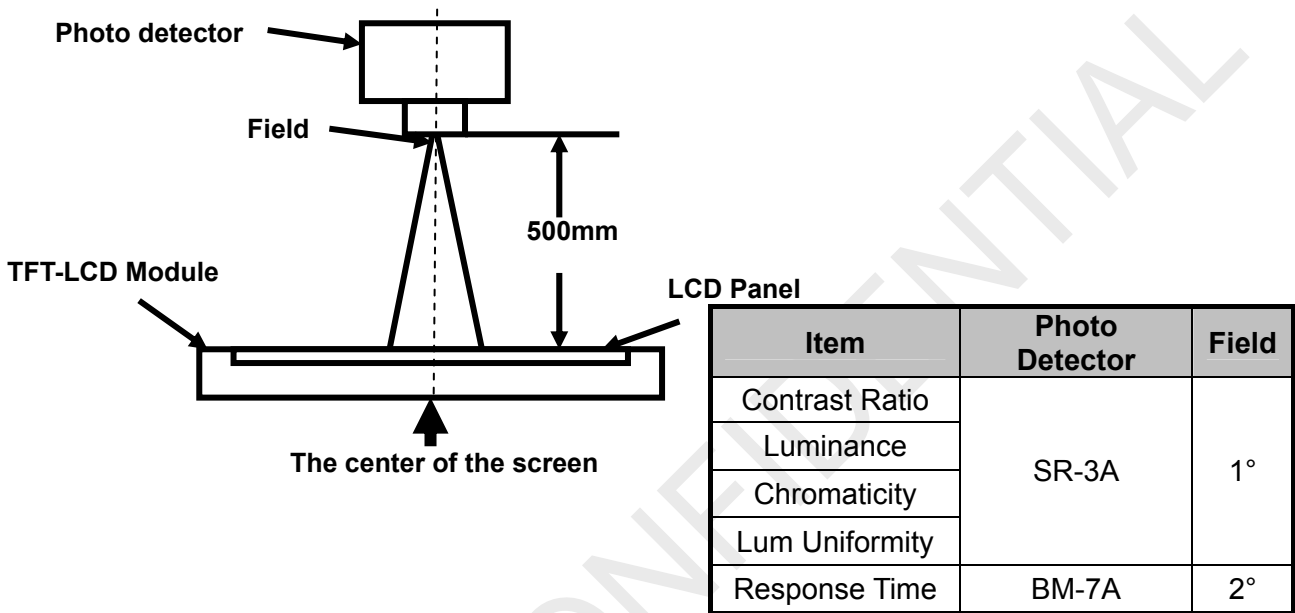
## Test Conditions:

1.  $V_F=3.2V$ ,  $I_F=20mA$ , the ambient temperature is 25°C.
2. The test systems refer to Note 1 and Note 2.



Note 1: Definition of optical measurement system.

The optical characteristics should be measured in dark room. After 5 minutes operation, the optical properties are measured at the center point of the LCD screen. All input terminals LCD panel must be ground when measuring the center area of the panel.



Note 2: Definition of viewing angle range and measurement system.

viewing angle is measured at the center point of the LCD by CONOSCOPE(ergo-80).

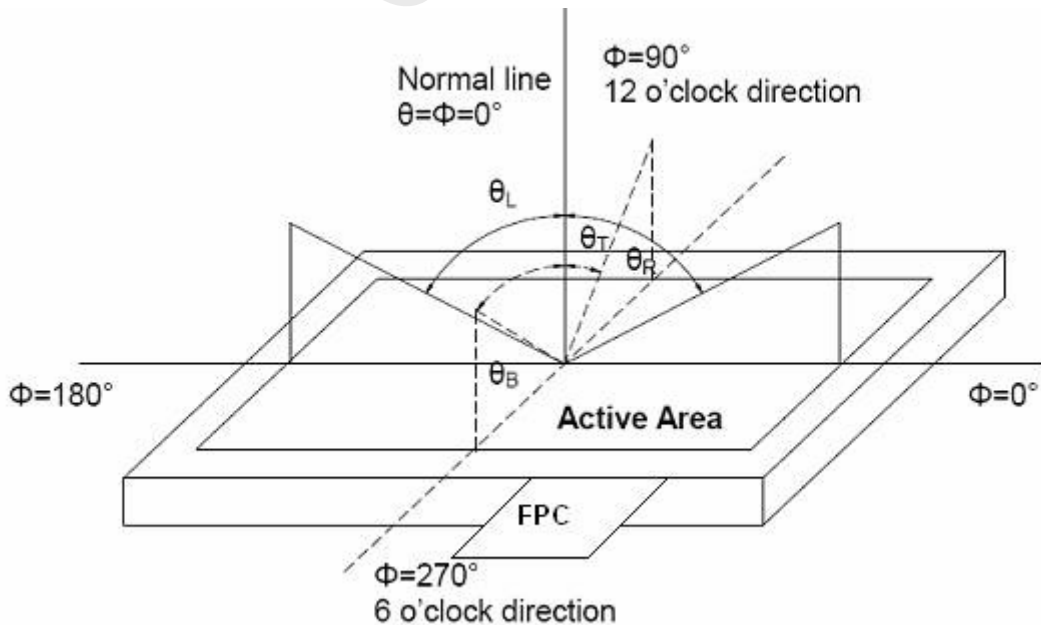


Fig. 1 Definition of viewing angle



Note 3: Definition of contrast ratio

$$\text{Contrast ratio (CR)} = \frac{\text{Luminance measured when LCD is on the "White" state}}{\text{Luminance measured when LCD is on the "Black" state}}$$

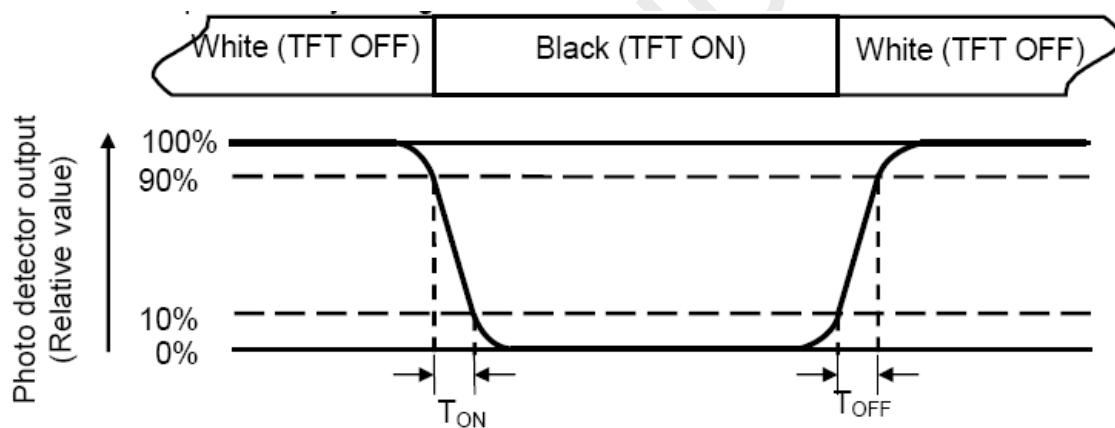
“White state “:The state is that the LCD should driven by  $V_{\text{white}}$ .

“Black state”: The state is that the LCD should driven by  $V_{\text{black}}$ .

$V_{\text{white}}$ : To be determined     $V_{\text{black}}$ : To be determined.

Note 4: Definition of Response time

The response time is defined as the LCD optical switching time interval between “White” state and “Black” state. Rise time ( $T_{\text{ON}}$ ) is the time between photo detector output intensity changed from 90% to 10%. And fall time ( $T_{\text{OFF}}$ ) is the time between photo detector output intensity changed from 10% to 90%.



Note 5: Definition of color chromaticity (CIE1931)

Color coordinates measured at center point of LCD.

**Note 6: Definition of Luminance Uniformity**

Active area is divided into 9 measuring areas (Refer Fig. 2). Every measuring point is placed at the center of each measuring area.

$$\text{Luminance Uniformity}(U) = L_{\min} / L_{\max}$$

L-----Active area length W----- Active area width

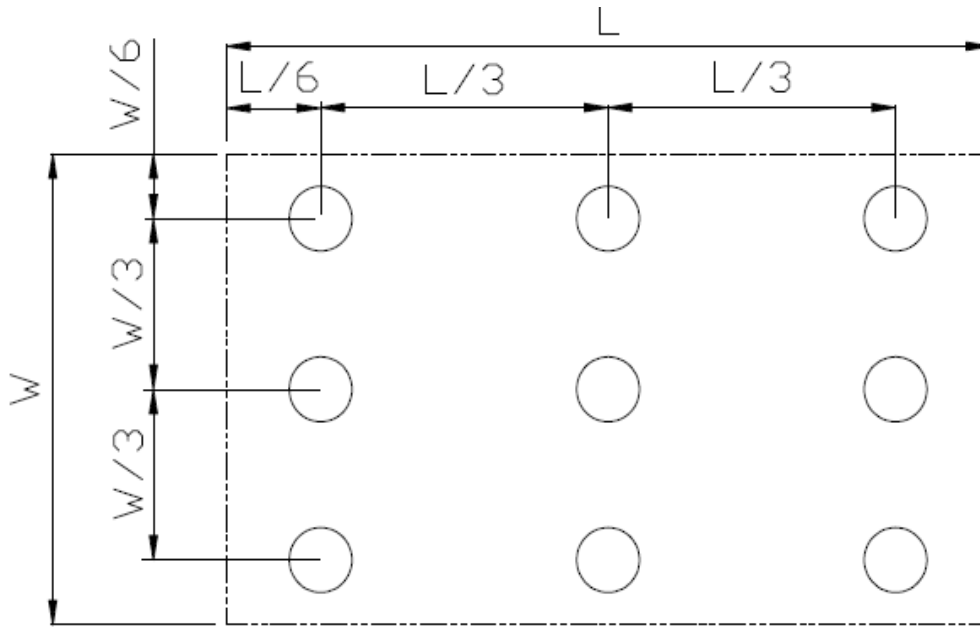


Fig. 2 Definition of uniformity

$L_{\max}$ : The measured maximum luminance of all measurement position.

$L_{\min}$ : The measured minimum luminance of all measurement position.

**Note 7: Definition of Luminance:**

Measure the luminance of white state at center point.



## 8 Environmental / Reliability Tests

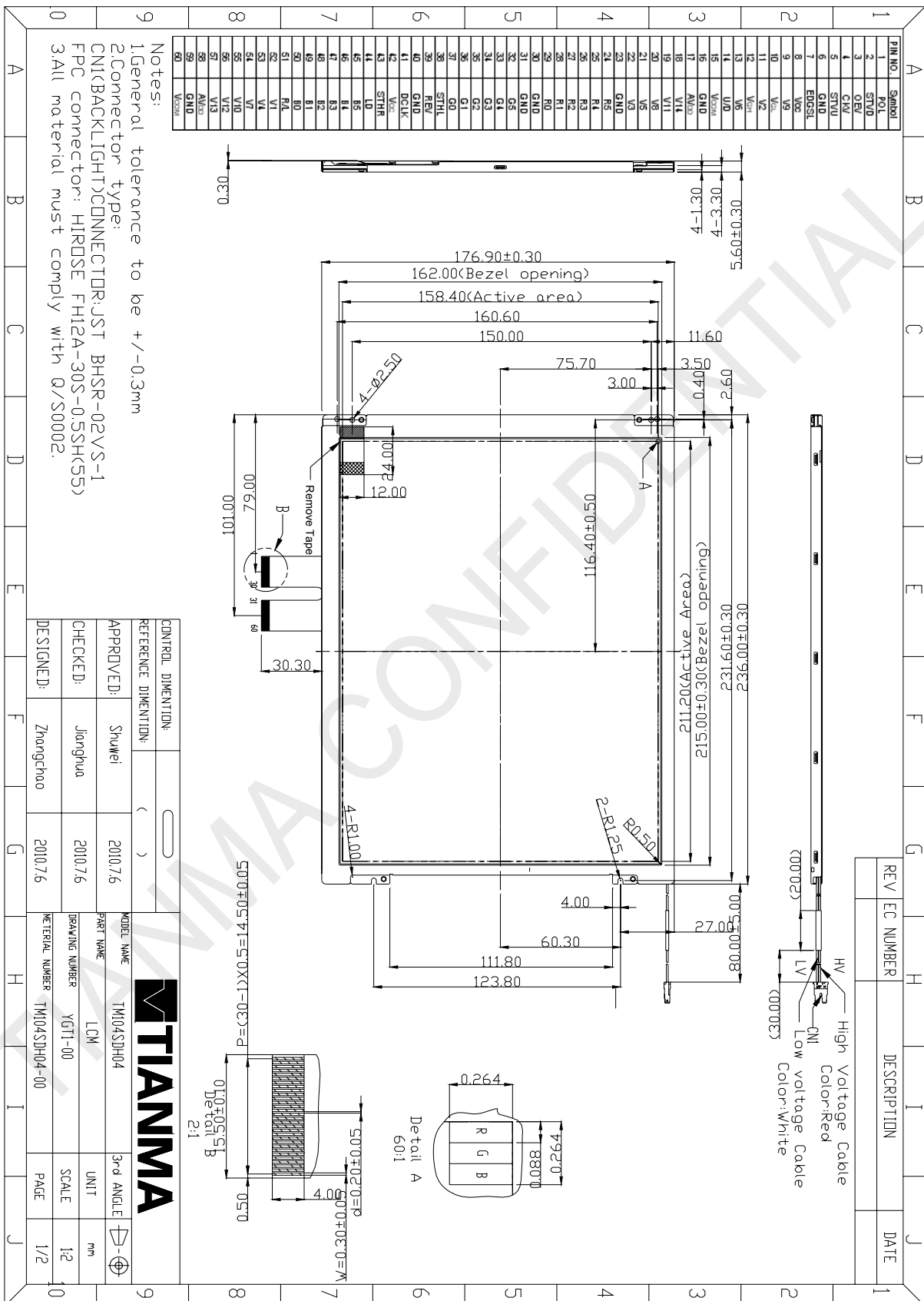
No	Test Item	Condition	Remarks
1	High Temperature Operation	Ts=+70°C, 240hrs	Note1 IEC60068-2-1,GB2423.2
2	Low Temperature Operation	Ta=-20°C, 240hrs	IEC60068-2-1 GB2423.1
3	High Temperature Storage	Ta=+80°C, 240hrs	IEC60068-2-1 GB2423.2
4	Low Temperature Storage	Ta=-30°C, 240hrs	IEC60068-2-1 GB2423.1
5	High Temperature & High Humidity Storage	Ta=+60°C, 90% RH 240 hours	Note2 IEC60068-2-78 GB/T2423.3
6	Thermal Shock (Non-operation)	-30°C 30 min~+70°C 30 min, Change time:5min, 100 Cycles	Start with cold temperature, End with high temperature, IEC60068-2-14,GB2423.22
7	Electro Static Discharge (Operation)	C=150pF, R=330Ω 5points/panel Air:±8KV, 5times; Contact:±4KV, 5 times; (Environment: 15°C~35°C, 30%~60%, 86Kpa~106Kpa)	IEC61000-4-2 GB/T17626.2
8	Vibration (Non-operation)	Frequency range:10~55Hz, Stroke:1.5mm Sweep:10Hz~55Hz~10Hz 2 hours for each direction of X.Y.Z. (6 hours for total)(Package condition)	IEC60068-2-6 GB/T2423.10
9	Shock (Non-operation)	60G 6ms, ±X,±Y,±Z 3times, for each direction	IEC60068-2-27 GB/T2423.5
10	Package Drop Test	Height:80 cm, 1 corner, 3 edges, 6 surfaces	IEC60068-2-32 GB/T2423.8
11	Package Vibration Test	Random Vibration: 0.015GxG/Hz for 5-200Hz, -6dB/Octave from 200-500Hz 2 hours for each direction of X,Y,Z (6 hours for total)	IEC60068-2-34 GB/T2423.11

Note1: Ts is the temperature of panel's surface.

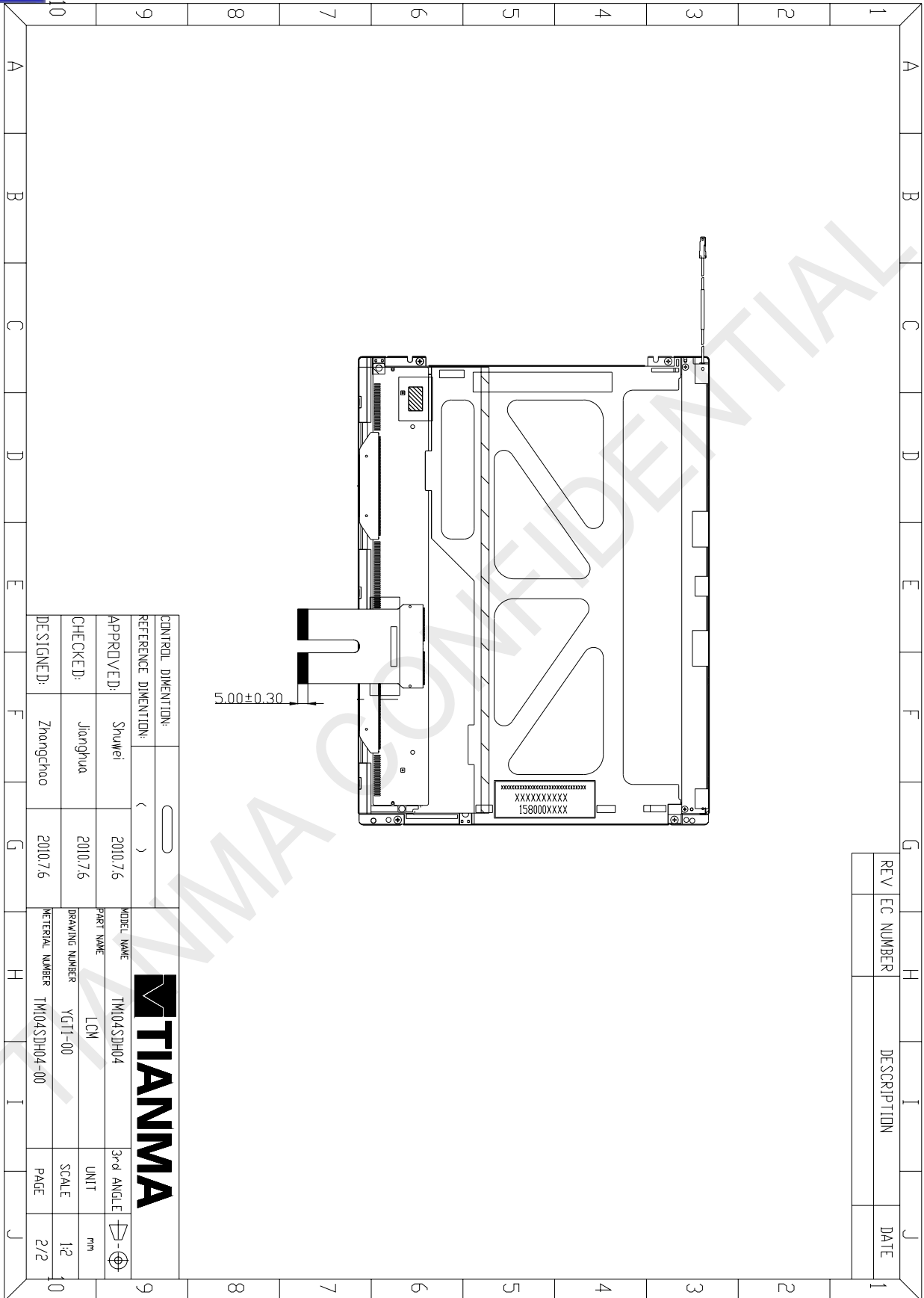
Note2: Ta is the ambient temperature of sample.



9 Mechanical Drawing



The information contained herein is the exclusive property of SHANGHAI TIANMA MICRO-ELECTRONICS Corporation, and shall not be distributed, reproduced, or disclosed in whole or in part without prior written permission of SHANGHAI TIANMA MICRO-ELECTRONICS Corporation.



CONTROL DIMENTION:		
REFERENCE DIMENTION:	(	)
APPROVED:	Shuwei	2010.7.6
CHECKED:	Jianghua	2010.7.6
DESIGNED:	Zhongchao	2010.7.6

MODEL NAME	TM104SDH04	3rd ANGLE	
PART NAME	LCM	UNIT	mm
DRAWING NUMBER	YGT1-00	SCALE	1:2
MATERIAL NUMBER	TM104SDH04-00	PAGE	2/2



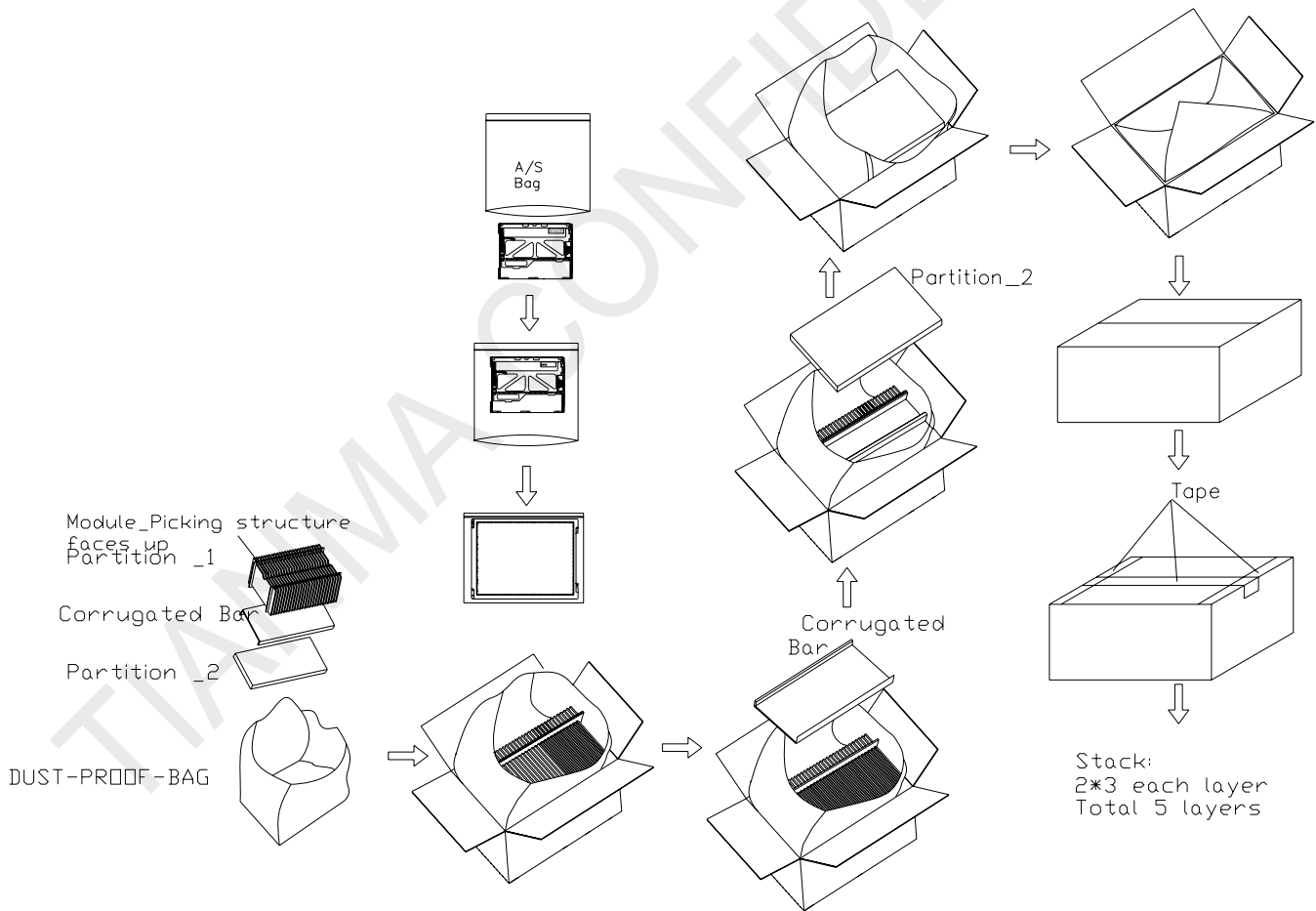
REV	EC NUMBER	DESCRIPTION	DATE

The information contained herein is the exclusive property of SHANGHAI TIANMA MICRO-ELECTRONICS Corporation, and shall not be distributed, reproduced, or disclosed in whole or in part without prior written permission of SHANGHAI TIANMA MICRO-ELECTRONICS Corporation.



### 10 Packing Drawing

No	Item	Model (Material)	Dimensions(mm)	Unit Weight(Kg)	Quantity	Remark	
1	LCM module	TM104SDH04	236×176.9×5.6	0.29	25		
2	Partition_1	Corrugated paper	513×333×217	1.476	1		
3	Anti-static Bag	PE	247×256×0.05	0.004	25		
4	Dust-Proof Bag	PE	700×530	0.05			
5	Partition_2	Corrugated Paper	505×332×4.0	0.1	2		
6	Corrugated Bar	Corrugated Paper	513×248	0.102	2		
7	Carton	Corrugated Paper	530×350×250	1.02	1		
8	Total weight(Kg)	10.30Kg±10%					



The information contained herein is the exclusive property of SHANGHAI TIANMA MICRO-ELECTRONICS Corporation, and shall not be distributed, reproduced, or disclosed in whole or in part without prior written permission of SHANGHAI TIANMA MICRO-ELECTRONICS Corporation.



## 11 Precautions for Use of LCD Modules

### 11.1 Handling Precautions

- 11.1.1 The display panel is made of glass. Do not subject it to a mechanical shock by dropping it from a high place, etc.
- 11.1.2 If the display panel is damaged and the liquid crystal substance inside it leaks out, be sure not to get any in your mouth, if the substance comes into contact with your skin or clothes, promptly wash it off using soap and water.
- 11.1.3 Do not apply excessive force to the display surface or the adjoining areas since this may cause the color tone to vary.
- 11.1.4 The polarizer covering the display surface of the LCD module is soft and easily scratched. Handle this polarizer carefully.
- 11.1.5 If the display surface is contaminated, breathe on the surface and gently wipe it with a soft dry cloth. If still not completely clear, moisten cloth with one of the following solvents:
- Isopropyl alcohol、
  - Ethyl alcohol
- Solvents other than those mentioned above may damage the polarizer. Especially, do not use the following:
- Water
  - Ketone
  - Aromatic solvents
- 11.1.6 Do not attempt to disassemble the LCD Module.
- 11.1.7 If the logic circuit power is off, do not apply the input signals.
- 11.1.8 To prevent destruction of the elements by static electricity, be careful to maintain an optimum work environment.
- 11.1.8.1 Be sure to ground the body when handling the LCD Modules.
- 11.1.8.2 Tools required for assembly, such as soldering irons, must be properly ground.
- 11.1.8.3 To reduce the amount of static electricity generated, do not conduct assembly and other work under dry conditions.
- 11.1.8.4 The LCD Module is coated with a film to protect the display surface. Be care when peeling off this protective film since static electricity may be generated.

### 11.2 Storage precautions

- 11.2.1 When storing the LCD modules, avoid exposure to direct sunlight or to the light of fluorescent lamps.
- 11.2.2 The LCD modules should be stored under the storage temperature range. If the LCD modules will be stored for a long time, the recommend condition is:
- Temperature : 0°C ~ 40°C    Relatively humidity: ≤80%
- 11.2.3 The LCD modules should be stored in the room without acid, alkali and harmful gas.

### 11.3 Transportation Precautions:

The LCD modules should be no falling and violent shocking during transportation, and also should avoid excessive press, water, damp and sunshine.